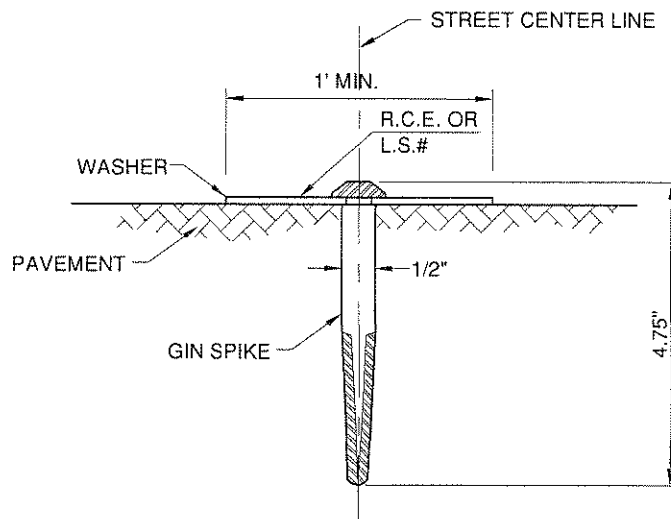


CENTER LINE TIE POINTS



NOTES:

1. ALL TIE POINTS SHALL BE LEAD AND TACKS. LEAD SHALL BE A MIN. OF 3/4" DEEP AND TACKS TO BE MADE OF BRASS.
2. ALL INTERSECTIONS AND CENTER LINE CONTROL POINTS SHALL BE GIN SPIKE.
3. ALL CONTROL POINTS SHALL HAVE A MIN. OF 4 TIES, WITH TIES PLACED SUCH THAT A PROPER ANGLE IS OBTAINED FROM THE TIE TO THE CONTROL POINT AS DETERMINED BY THE CITY ENGINEER.

APPROVED:

Manon Pousse
P.W. DIRECTOR / CITY ENGINEER



City of Westminster
DEPARTMENT OF PUBLIC WORKS

CENTERLINE TIES

STANDARD NUMBER

604

REVISED DATE: 5/15/08