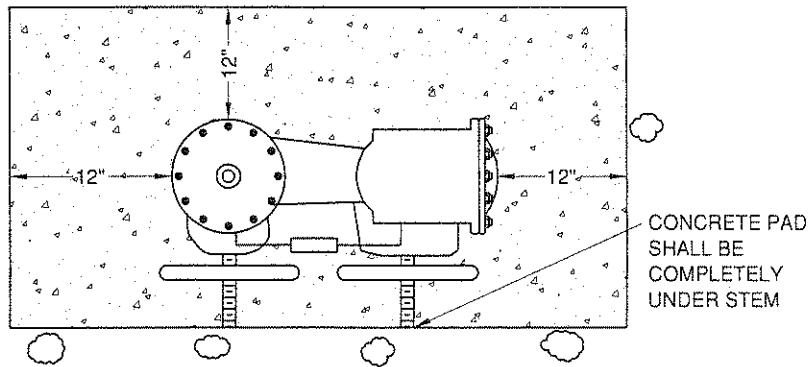


SHRUBS SHALL BE A MINIMUM OF 3-GALLON AND OF SPECIES CONSISTENT WITH LANDSCAPING REQUIREMENTS



**NOTES:**

- ① APPROVED REDUCE PRESSURE PRINCIPLE DEVICE. FEBCO 880, WILKINS 475 OR APPROVED EQUAL BY CROSS CONNECTION CONTROL SPECIALIST, INSTALLED IN "N-SHAPE" POSITION.
- ② RESILIENT WEDGE GATE VALVES, NRS WITH FLANGED ENDS (OR O,S & Y IF APPROVED AND STEMS MUST FACE STREET OR FIRE DEPT. VIEWABLE SIDE.)
- ③ INSTALLATION OF BACKFLOW DEVICE MUST BE A MINIMUM OF 6 INCHES AND A MAXIMUM OF 12 INCHES BETWEEN THE BOTTOM OF THE GATE VALVE FLANGE AND THE CONCRETE PAD.
- ④ 150 LB. ANSI RATED FLANGE.
- ⑤ FABRICATED INTEGRALLY WITH DIP MORTAR LINED SPOOL PIECE (FL).
- ⑥ 4" THICK CONCRETE SLAB. REINFORCED WITH W1.4 X W1.4 WELD WIRE MESH. CONCRETE SHALL BE C-560-3250 MIX.
- ⑦ LONG RADIUS 90 BEND, CEMENT LINED DI, FL X FL OR FL MJ ENDS WITH RETAINER GLANDS
- ⑧ CONSUMER PIPING C-900.

APPROVED:

*Mama Yousse*  
P.W. DIRECTOR / CITY ENGINEER



REVISED DATE: 5/15/08

**City of Westminster**

DEPARTMENT OF PUBLIC WORKS

REDUCED PRESSURE  
PRINCIPLE DEVICE 3" AND ABOVE  
DOMESTIC / IRRIGATION

STANDARD NUMBER

409A