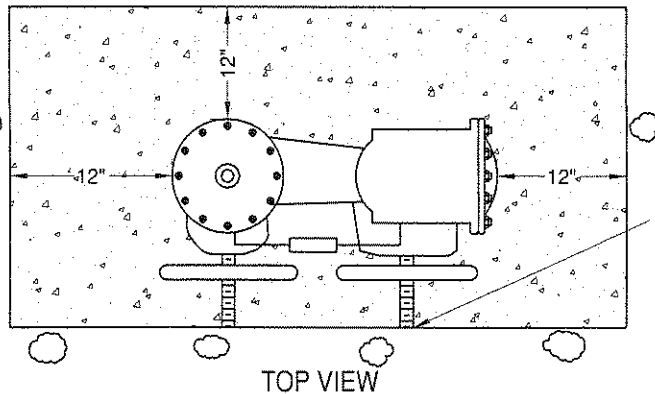


SHRUBS SHALL BE A MINIMUM OF 3-GALLON AND OF SPECIES CONSISTENT WITH LANDSCAPING REQUIREMENTS



NOTES:

- ① APPROVED DOUBLE CHECK VALVE ASSEMBLY. FEBCO 870V OR APPROVED EQUAL INSTALLED IN "N-SHAPE" POSITION.
- ② RESILIENT WEDGE GATE VALVES, O, S & Y WITH FLANGED ENDS. STEMS MUST FACE STREET/VIEWABLE SIDE.
- ③ INSTALLATION OF BACK FLOW DEVICE MUST BE A MINIMUM OF 6 INCHES AND A MAXIMUM OF 12 INCHES BETWEEN THE BOTTOM OF THE O, S & Y FLANGE AND THE CONCRETE PAD.
- ④ DIP MORTAR LINED SPOOL PIECE (FL).
- ⑤ 150 LB. ANSI RATED FLANGE. FABRICATED INTEGRALLY WITH SPOOL.
- ⑥ 4" THICK CONCRETE SLAB. REINFORCED WITH W1.4 X W1.4 WELD WIRE MESH. CONCRETE SHALL BE C-560-3250 MIX.
- ⑦ LONG RADIUS 90 BEND, CEMENT LINED DI, FL X FL OR FL MJ ENDS WITH RETAINER GLANDS.
- ⑧ SUPPLY PIPE. C-900 TAPPED TO CITY WATER LINE WITH JCM 432 ALL STAINLESS STEEL TAP SLEEVE OR EQUAL FOR C-900 PIPE AC. A TRACER WIRE MUST BE INSTALLED PER WATER NOTES.
- ⑨ IF REQUIRED BY CITY, INSTALL THRUST BLOCK PER STANDARD 402.

APPROVED:

Marwan Youssef
P.W. DIRECTOR / CITY ENGINEER



City of Westminster

DEPARTMENT OF PUBLIC WORKS

DOUBLE CHECK VALVE ASSEMBLY 3" AND ABOVE DOMESTIC / IRRIGATION

STANDARD NUMBER

412

REVISED DATE: 5/15/08