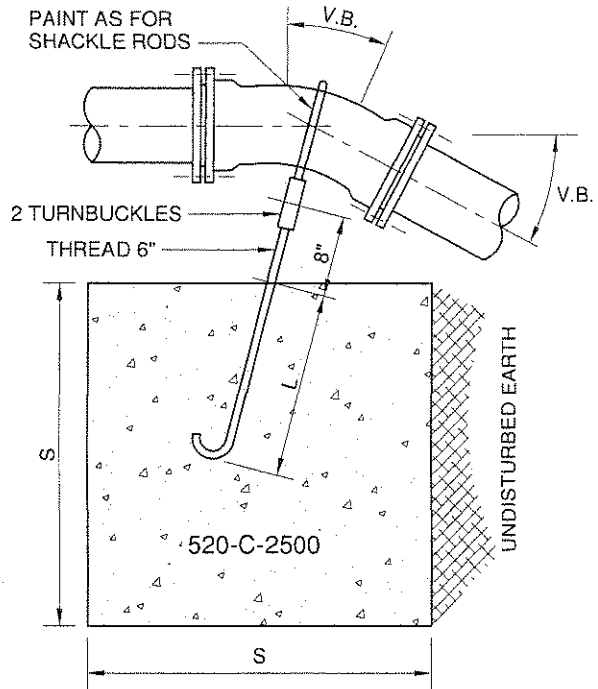


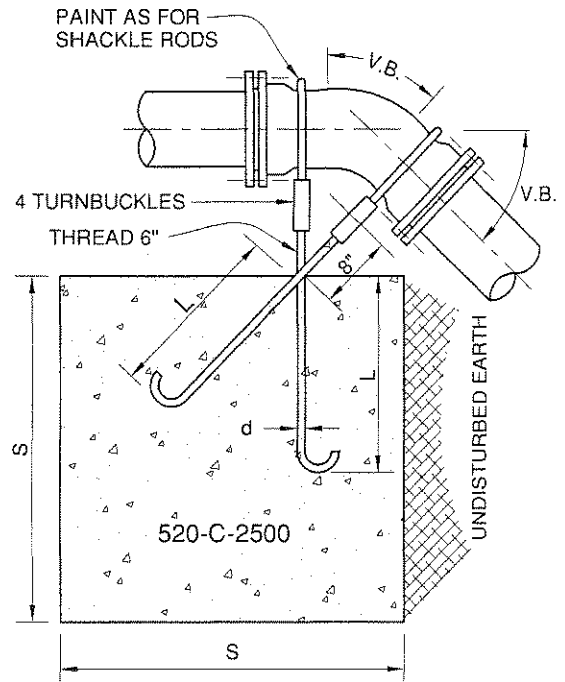
TYPE "A" BLOCKING FOR 11 1/4" - 22 1/2" - 30" VERTICAL BENDS						
PIPE SIZE NORM. DIAMETER-INCHES	TEST PRESSURE PSI	VB VERTICAL BEND DEGREES	NO. OF CU. FT. OF CONC. BLOCKING	S SIZE OF CUBE FEET	d DIAMETER OF SHACKLE RODS (2) INCHES	L DEPTH OF RODS IN CONCRETE FEET
4"	300	11 1/4	8	2	3/4"	1.5
		22 1/2	11	2.2		2.0
		30	17	2.6		
6"	300	11 1/4	11	2.2	3/4"	2.0
		22 1/2	25	2.9		
		30	41	3.5		
8"	300	11 1/4	16	2.5	3/4"	2.0
		22 1/2	47	3.6		
		30	70	4.1		3/4"
12"	250	11 1/4	32	3.2	3/4"	2.0
		22 1/2	88	4.5	7/8"	3.0
		30	132	5.1		
16"	250	11 1/4	70	4.1	7/8"	3.0
		22 1/2	184	5.7	1 1/8"	4.0
		30	275	6.5	1 1/4"	
20"	200	11 1/4	91	4.5	7/8"	3.0
		22 1/2	225	6.1	1 1/4"	4.0
		30	330	6.9	1 3/8"	4.5
24"	200	11 1/4	128	5.0	1"	3.5
		22 1/2	320	6.8	1 3/8"	4.5
		30	480	7.9	1 5/8"	5.5

TYPE "A" BLOCKING  
FOR 11 1/4" - 22 1/2" - 30" VERTICAL BENDS



TYPE "B" BLOCKING FOR 45° VERTICAL BENDS						
PIPE SIZE NORM. DIAMETER-INCHES	TEST PRESSURE PSI	VB VERTICAL BEND DEGREES	NO. OF CU. FT. OF CONC. BLOCKING	S SIZE OF CUBE FEET	d DIAMETER OF SHACKLE RODS (4) INCHES	L DEPTH OF RODS IN CONCRETE FEET
4"	300	45	31	31	3/4"	2.0
6"			38	41		
8"			123	50		
12"	250	232	61	3/4"	2.5	
16"	225	478	78	1 1/8"	4.0	
20"	200	560	82	1 1/4"		
24"		820	94	1 3/8"	4.5	

TYPE "B" BLOCKING  
FOR 45° VERTICAL BENDS



APPROVED:

*Maurice Yonice*  
P.W. DIRECTOR / CITY ENGINEER

REVISED DATE: 5/15/08



City of Westminster  
DEPARTMENT OF PUBLIC WORKS

ANCHOR BLOCK  
FOR VERTICAL BENDS

STANDARD NUMBER

414