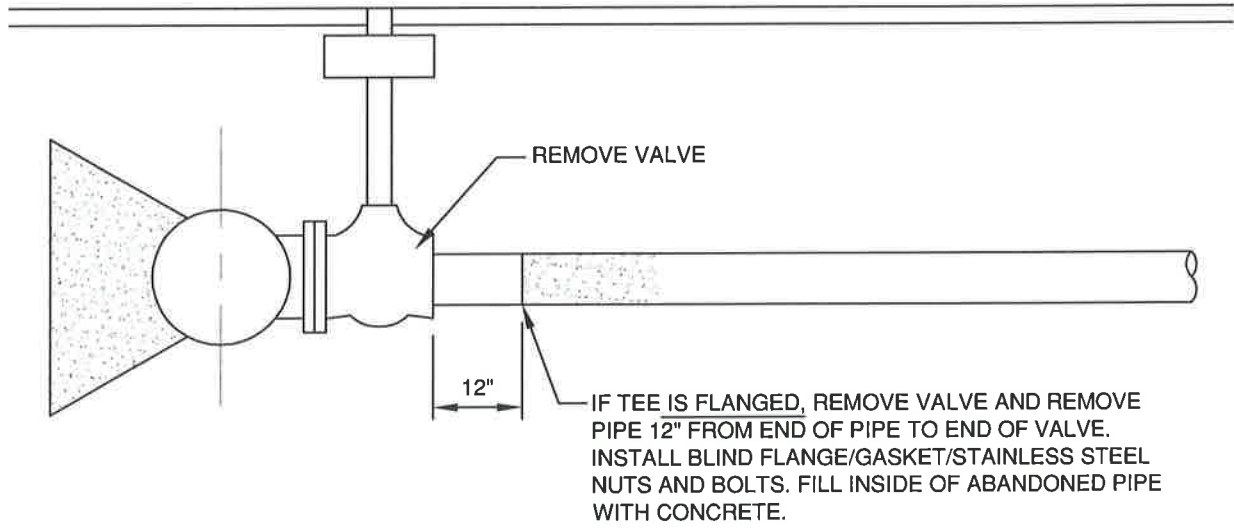


CUT OUT AREA

IF TEE IS NOT FLANGED



IF TEE IS FLANGED

**NOTE:**  
 A VISUAL INSPECTION SHALL BE MADE ON ALL  
 ABANDONMENTS BY WATER DIVISION STAFF.

APPROVED:

*Maura Yonson*  
 P.W. DIRECTOR / CITY ENGINEER

REVISED DATE: 5/11/16



**City of Westminster**  
 DEPARTMENT OF PUBLIC WORKS

ABANDON 3" THROUGH 12"  
 WATER SERVICE LINE

STANDARD NUMBER

419