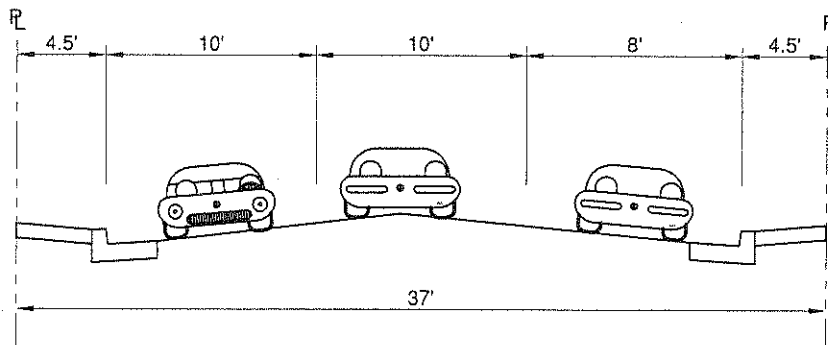


PARKING ON BOTH SIDES



PARKING ON ONE SIDE

VIEW NOT TO SCALE

* PRIVATE STREET WITH NO ON-STREET PARKING SHALL MAINTAIN A MINIMUM WIDTH OF 24'.

APPROVED:

Mawna Youssif

P.W. DIRECTOR / CITY ENGINEER

REVISED DATE: 5/15/08



City of Westminster

DEPARTMENT OF PUBLIC WORKS

TYPICAL SECTIONS
PRIVATE STREETS

STANDARD NUMBER

104-4