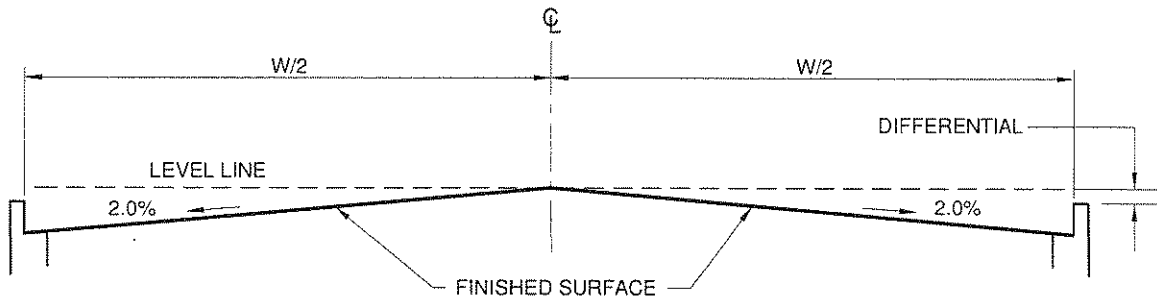


| W/2 | DIFFERENTIAL | |
|-----|--------------|----------------|
| | 6" C.F. | 8" C.F. |
| 18' | SEE DETAIL B | 0.15' = 1 3/4" |
| 20' | " | 0.11' = 1 1/4" |
| 22' | " | 0.07' = 7/8" |
| 24' | " | 0.03' = 3/8" |

DETAIL A



| W/2 | DIFFERENTIAL | |
|-----|----------------|----------------|
| | 6" C.F. | 8" C.F. |
| 18' | 0.02' = 1/4" | SEE DETAIL A |
| 20' | 0.06' = 3/4" | " |
| 22' | 0.10' = 1 1/4" | " |
| 24' | 0.14' = 1 5/8" | " |
| 32' | NO 6" C.F. | 0.13' = 1 1/2" |
| 42' | " | 0.33' = 4" |
| 52' | " | 0.53' = 6 3/8" |

DETAIL B

APPROVED:

Mamou Youssef
P.W. DIRECTOR / CITY ENGINEER

REVISED DATE: 5/15/08



City of Westminster

DEPARTMENT OF PUBLIC WORKS

STREET CROSS SECTION
LEVEL LINE ELEVATION

STANDARD NUMBER

105