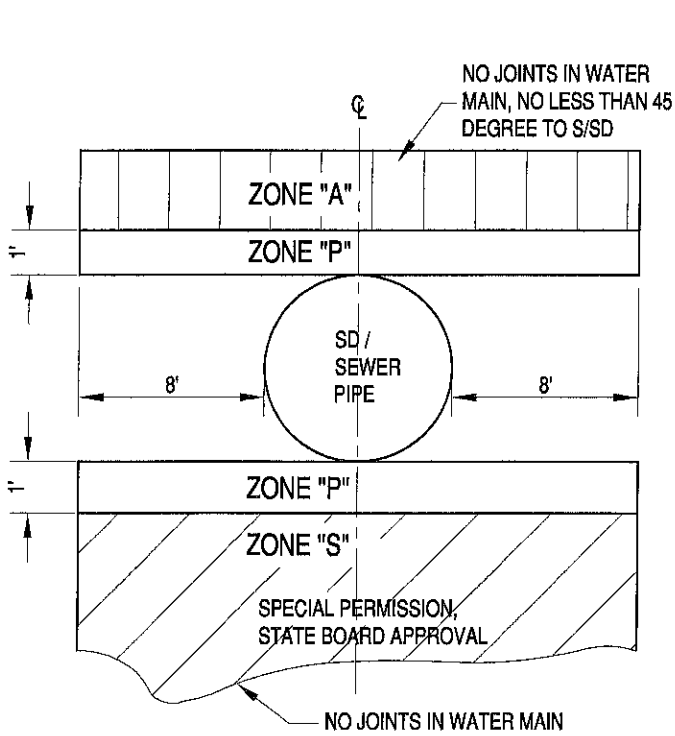
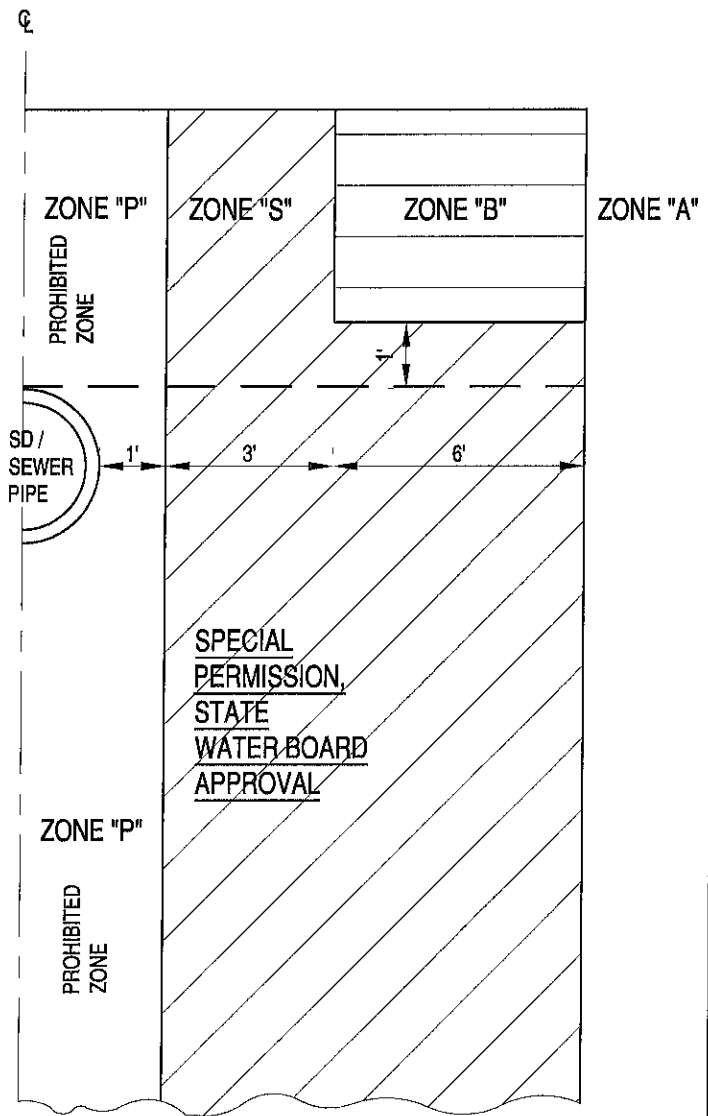


NEW WATER MAIN



CROSSING CONSTRUCTION



PARALLEL CONSTRUCTION

NOTE:

ZONES IDENTICAL ON EITHER SIDE OF CENTER LINES.

ZONE "P" - PROHIBITED ZONE

ZONE "A" - ALLOWED ZONE

ZONE "S" - SPECIAL PERMISSION ZONE

ZONE "B" - ALLOWED ZONE IF PARALLEL TO S.D.

- ZONE "S" OR ANY DEVIATION FROM THE REQUIREMENTS MUST BE REVIEWED AND APPROVED BY THE WESTMINSTER WATER DIVISION AND THE STATE WATER RESOURCES CONTROL BOARD.

APPROVED:

[Signature]

P.W. DIRECTOR / CITY ENGINEER

REVISED DATE: 9/27/21



City of Westminster

DEPARTMENT OF PUBLIC WORKS

SEPARATION OF WATER MAINS
NEW WATER MAIN

STANDARD NUMBER

422

SHEET 1 OF 2

WATER MAIN SEPARATION: TO PREVENT THE CONTAMINATION OF PUBLIC WATER SUPPLIES, THE BASIC SEPARATION STANDARDS SET FORTH BY CALIFORNIA DEPARTMENT OF PUBLIC HEALTH SHALL BE REQUIRED. THE STANDARDS SET FORTH, CONTAINED IN SECTION 64572, TITLE 22, CALIFORNIA ADMINISTRATIVE CODE SPECIFY:

- a) NEW WATER MAIN AND NEW SUPPLY LINES SHALL NOT BE INSTALLED IN THE SAME TRENCH AS, AND SHALL BE AT LEAST 10 FEET HORIZONTALLY FROM AND ONE FOOT VERTICALLY ABOVE, ANY PARALLEL PIPELINE CONVEYING:
 - (1) UNTREATED SEWAGE,
 - (2) PRIMARY OR SECONDARY TREATED SEWAGE,
 - (3) DISINFECTED SECONDARY - 2.2 RECYCLED WATER (DESINED IN SECTION 60301.220),
 - (4) DISINFECTED SECONDARY - 2.3 RECYCLED WATER (DEFINED IN SECTION 60301.225), AND
 - (5) HAZARDOUS FLUIDS SUCH AS FUELS, INDUSTRIAL WASTES, AND WASTEWATER SLUDGE.
- b) NEW WATER MAIN AND NEW SUPPLY LINES SHALL BE INSTALLED AT LEAST 4 FEET HORIZONTALLY FROM, AND ONE FOOT VERTICALLY ABOVE, ANY PARALLEL PIPELINE CONVEYING:
 - (1) DISINFECTED TERTIARY RECYCLED WATER (DEFINED IN SECTION 60301.230), AND
 - (2) STORM DRAINAGE.
- c) NEW SUPPLY LINES CONVEYING RAW WATER TO BE TREATED FOR DRINKING PURPOSE SHALL BE INSTALLED AT LEAST 4 FEET HORIZONTALLY FROM, AND ONE FOOT VERTICALLY BELOW, ANY WATER MAIN.
- d) IF CROSSING A PIPELINE CONVEYING A FLUID IN SUBSECTION (a) OR (b), A NEW WATER MAIN SHALL BE CONSTRUCTED NO LESS THAN 45-DEGREES TO AND AT LEAST ONE FOOT ABOVE THAT PIPELINE. NO CONNECTION JOINTS SHALL BE IN THE WATER MAIN WITHIN RIGHT HORIZONTAL FEET OF THE FLUID PIPELINE.
- e) THE VERTICAL SEPARATION SPECIFIED IN SUBSECTION (a), (b), AND (c), IS REQUIRED ONLY WHEN HORIZONTAL DISTANCE BETWEEN A WATER MAIN AND PIPELINE IS LESS THAN TEN FEET.
- f) NEW WATER MAINS SHALL NOT NE INSTALLED WITHIN 100 HORIZONTAL FEET OF THE NEAREST EDGE OF ANY SANITARY LANDFILL, WASTEWATER DISPOSAL POND, OR HAZARDOUS WASTE DISPOSAL SITE, OR WITHIN 25 HORIZONTAL FEET OF THE NEAREST EDGE OF ANY CESSPOOL, SEPTIC TANK, SEWAGE LEACH FIELD, SEEPAGE PIT, UNDERGROUND HAZARDOUS MATERIAL STORAGE TANK, OR GROUNDWATER RECHARGE PROJECT SITE.
- g) THE MINIMUM SEPARATION DISTANCE SET FORTH IN THIS SECTION SHALL BE MEASURED FROM THE NEAREST OUTSIDE EDGE OR EACH PIPE BARREL.
- h) WITH STATE BOARD APPROVAL, NEWLY INSTALLED WATER MAINS MAY BE EXEMPTED FROM THE SEPARATION DISTANCES IN THIS SECTION, EXCEPT SUBSECTION (f), IF THE NEWLY INSTALLED MAIN IS:
 - (1) LESS THAN 1320 LINEAR FEET,
 - (2) REPLACING AN EXISTING MAIN, INSTALLED IN SAME LOCATION, AND HAS A DAIMETER NO GREATER THAN SIC INCHES MORE THAN THE DIAMETER OF THE MAIN IT IS REPLAVING, AND
 - (3) INSTALLED IN A MANNER THAT MINIMIZES THE POTENTIAL FROM CONTAMINATION, INCLUDING, BUT NOT LIMITED TO:
 - (A) SLEEVEING THE NEWLY INSTALLED MAIN, OR
 - (B) UTILIZING UPGRADED PIPING MATERIAL

APPROVED:



P.W. DIRECTOR / CITY ENGINEER

REVISED DATE: 9/27/21



City of Westminster

DEPARTMENT OF PUBLIC WORKS

SEPARATION OF WATER MAINS
NEW WATER MAIN

STANDARD NUMBER

422

SHEET 2 OF 2