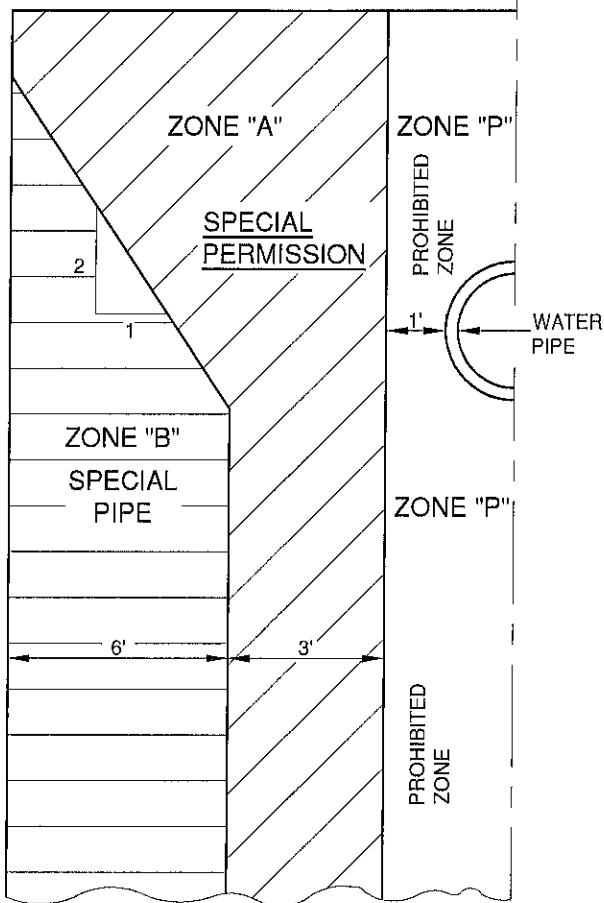


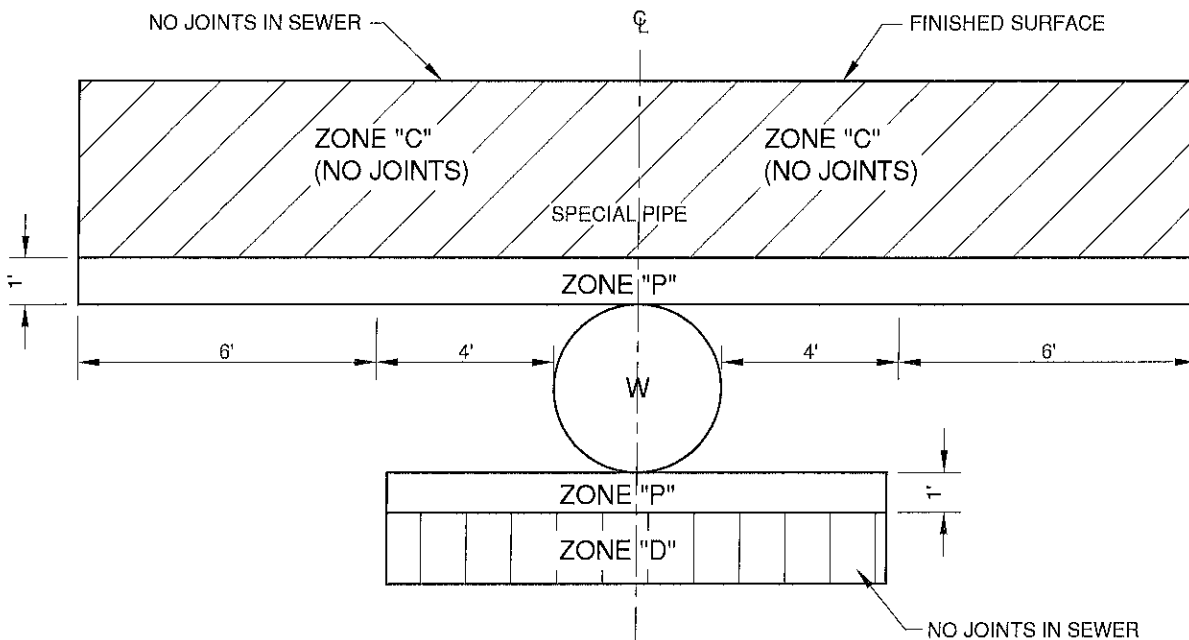
NEW SEWER

NOTE:

- ZONES IDENTICAL ON EITHER SIDE OF CENTER LINES.
  - ZONE "P" - PROHIBITED ZONE
  - ZONE "A" - SPECIAL PERMISSION ZONE
  - ZONE "B" - HDPE PIPE WITH FUSED JOINTS - AWWA C906-99
  - ZONE "C" - CONTINUOUS SECTION OF HDPE PIPE - AWWA C906-99 WITHIN 10' OF WATER MAIN
  - ZONE "D" - CONTINUOUS SECTION OF HDPE PIPE - AWWA C906-99 WITHIN 4' OF WATER MAIN
- ZONE "A" OR ANY DEVIATION FROM THE REQUIREMENTS MUST BE APPROVED BY THE WESTMINSTER WATER DIVISION.



PARALLEL CONSTRUCTION



CROSSING CONSTRUCTION

APPROVED:

*[Signature]*

P.W. DIRECTOR / CITY ENGINEER

REVISED DATE: 9/27/21



**City of Westminster**

DEPARTMENT OF PUBLIC WORKS

SEPARATION OF WATER MAINS  
NEW SEWER

STANDARD NUMBER

423